



B-TECH AV MOUNTS™

IDEAL FOR  
MULTI-SCREEN  
INSTALLATIONS

# BT8390-VESA200F SYSTEM X™ UNIVERSAL INTERFACE ARMS FOR SMALL / MEDIUM SCREENS



Ideal for single row, multi-screen installations, these interface arms are designed to mount small to medium sized screens in a fixed position along System X horizontal mounting rails. The universal design is compatible with a variety of different screens and allows them to be mounted in either landscape or portrait orientations. Levelling screws on each interface arm provides post installation height adjustment and a mounted depth of 48mm from the wall allows easy access for cables and connectors.

### SPECIFICATION

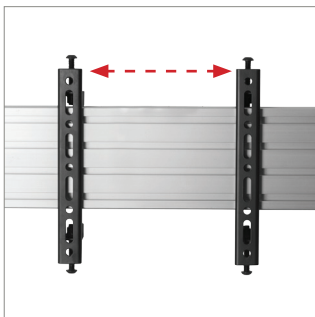
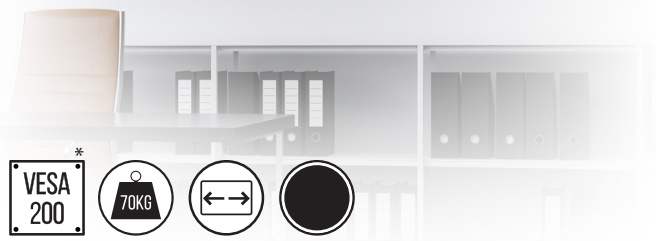
Recommended screen size	32" - 42"
Max load	70kg
VESA® & non-VESA fixings	up to 200mm* (vertical dimension)
Depth (typical wall mounted install)	48mm
Colour	Black

Supplied in pairs

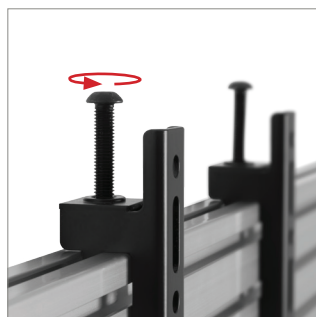
\*The VESA specification of the BT8390-VESA200F refers to the **vertical dimension only**. All System X interface arms can be positioned as far along the rail as necessary.

### FEATURES

- Part of the System X range for use in a variety of applications
- Ideal for menu boards and other multi-screen installations
- Also ideal for specialist stretch screens using VESA 600 x 200 fixings (landscape orientation)
- Universal design compatible with most screens
- Suitable for landscape or portrait mounting
- High-end aesthetic quality
- Lateral adjustment - position arms anywhere along the length of the rail
- Includes levelling screws to adjust the screen height
- Safety screws help prevent unauthorised removal of screens
- Simple 'hook-on' installation
- All mounting hardware included



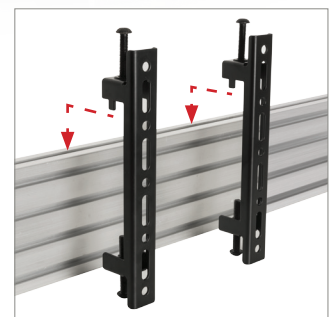
Position arms anywhere along the length of the rail



Arms feature levelling screws to adjust the screen height

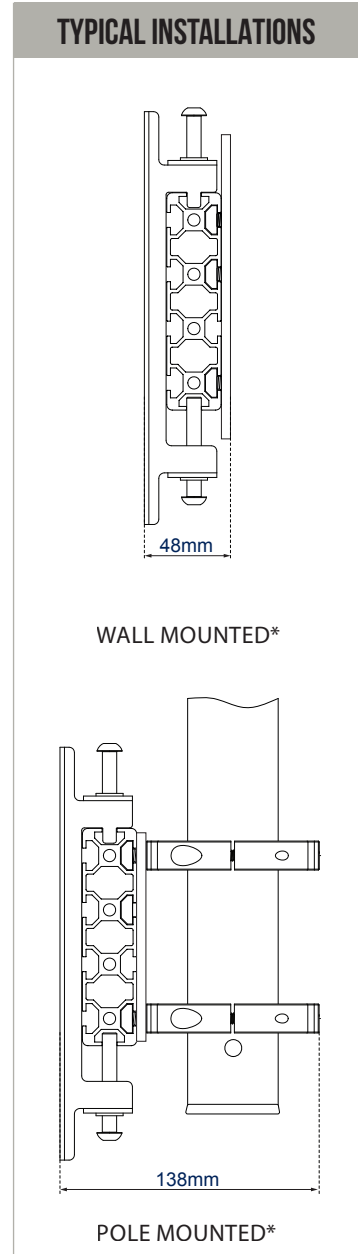
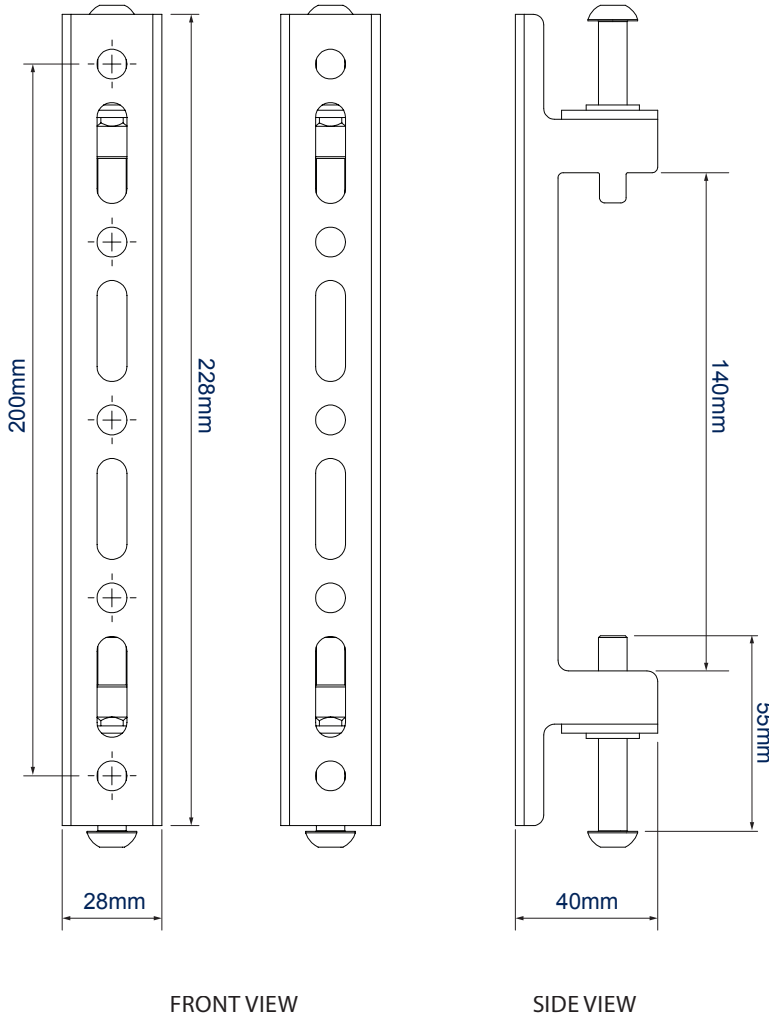


Safety screws help prevent unauthorised removal of screens



Simple 'hook-on' installation





\*Please note all other components shown in the technical drawings are available separately.

**PACKING INFORMATION**

COLOUR:	ORDER REF:	EAN CODE:	MASTER CARTON QTY:	INNER CARTON QTY:	MASTER CARTON WEIGHT:	MASTER CARTON CUBE:
Black	BT8390-VESA200F/B	5019318501203	13	0	15kg	0.065cbm

**ACCESSORIES AND RELATED PRODUCTS**

**BT8390-WFK 1**



**Wall Fixing Kits** are used to fix mounting rails securely to the wall

**BT8390-030/050/070/150/175/200**



**Mounting Rails** can be attached to columns, walls or poles using System X components

**BT8390-EXT**



**Extension Kits** combine mounting rails together to create longer installations

**BT8390-VESA200T**



**VESA 200 Interface Arms with Tilt** mount small - medium sized screens to mounting rails, with a tilt range of up to +20°

© 2019 B-Tech AV Mounts. All rights reserved. The information in this specification is for reference only. B-Tech AV Mounts is a registered trademark of B-Tech International Design & Manufacturing Ltd. We warrant the product to be free from defects in materials and workmanship for a period of 12 months from the date of purchase. B-Tech AV Mounts is not responsible for any damage caused by improper or unauthorized use, installation, or modification. Any reproduction or modification of any part of this specification is strictly prohibited unless prior written permission has been granted by B-Tech International Design & Manufacturing Ltd. (B-Tech).

SS-V1-BT8390-VESA200F-270316 European Trademark No.: Number: 002741256-0023